

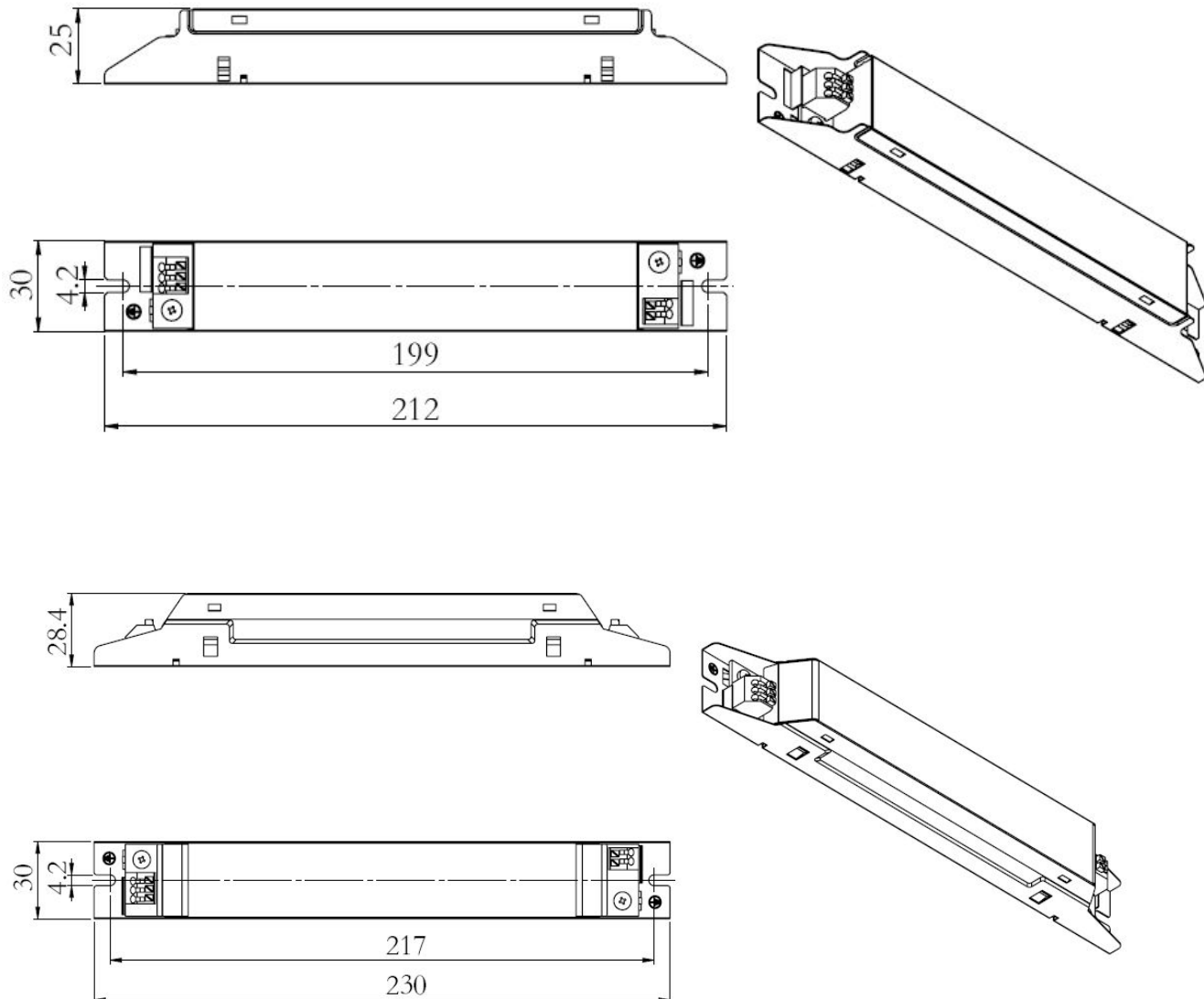
Specification of LED Drives –TB Type

Items	Models							
	LCE-040F084	LCE-040F105	LCE-040F125	LCE-040F200	LCF-040F084	LCF-040F105	LCF-040F125	LCF-040F200
Max. Output Power	40W							
Output Current	840mA	1050mA	1250mA	2000mA	840mA	1050mA	1250mA	2000mA
Output Current Tolerance	±8%							
Output Voltage Range	32~48V	24~38V	20~32V	14~20V	32~48V	24~38V	20~32V	14~20V
Output Current Ripple	<50% I _o ; pk - pk, at full load condition							
Rated Input Voltage	220Vac ~ 240Vac				120Vac ~ 240Vac			
Input Frequency Range	47 ~ 63Hz							
Power Factor (Typical)	0.93							
THD-A	<20%							
Efficiency	88%				87%			
Leakage Current	Max. 0.25mA/240Vac							
Short Circuit Protection	Yes							
Over Temperature Protection	Yes							
Over Voltage Protection	120% V _{out}							
Max. Case Temperature	75°C							
Operation Ambient Temperature	– 40°C ~60°C According to the Derating Curve							

EMI	Comply with EN55015, EN61000-3-2, EN61000-3-3	
Withstand Voltage	I/P-O/P:3.75KVac I/P-FG:1.88KVac O/P-FG:0.5KVac	
Isolation Resistance	I/P-O/P, I/P-FG, O/P-FG: 100MΩ/500Vdc/25°C/70%RH	
Dimensions (L x W x H)	212*30*25 mm	230*30*29 mm

Key Feature

1. Suitable for all kinds of indoor lighting
2. High cost-effective design,high-performance with low-cost
3. Constant current output,expect the listed, we can customize in the rate power range base on your requirement.
4. LCE type apply to the 220Vac~240Vac,LCF type apply to the 110Vac~240Vac
5. Adopt the iron shell and the quick connect terminal,easy to use and reliable.
6. Operation under the ambient temperature at 40°C, the lifetime can up to 25000 hours.



Derating Curve

