

50W Outdoor LED Drives LCU-05DXXX Series

Features

- ◇ Universal voltage input
- ◇ Using optimized control IC
- ◇ Perfect protection on SCP, OTP, OVP
- ◇ Dimming control for 0-10V, PWM and external resistor
- ◇ Low power loss (less than 0.75W in no-load condition)
- ◇ UL Type HL and Type TL certification
- ◇ Unique circuit design to increase reliability (2 patents pending)
- ◇ Waterproof (IP67) for damp or wet location



*Application: LED Outdoor lighting
 LED Flood lamp
 LED High Bay
 LED Street lamp

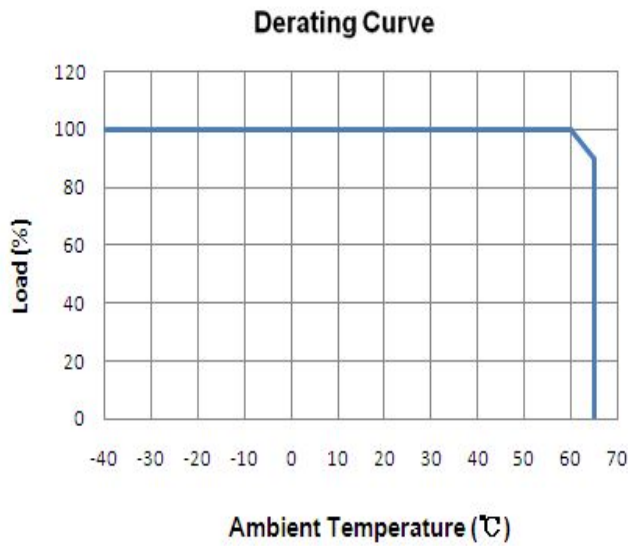


LCU-050D035							
1.LCU: Product line 2.085:Output power 50w 3.035:Output Current 350ma							
	Items	LCU-050D035	LCU-050D045	LCU-050D070	LCU-050D105	LCU-050D140	LCU-050D210
Output	Max. Output Power	50W	50W	50W	50W	50W	50W
	Output Current	350mA	450mA	700mA	1050mA	1400mA	2100mA
	Output Current Tolerance	±5%					
	Output Voltage Range	75~149	58~116	38~75	25~50	19~37	13~25
	Output Current Ripple	< 50% I _o ; pk - pk, at full load condition					
	Input Voltage Range	90Vac ~ 305Vac					
	Input Frequency Range	47 ~ 63Hz					

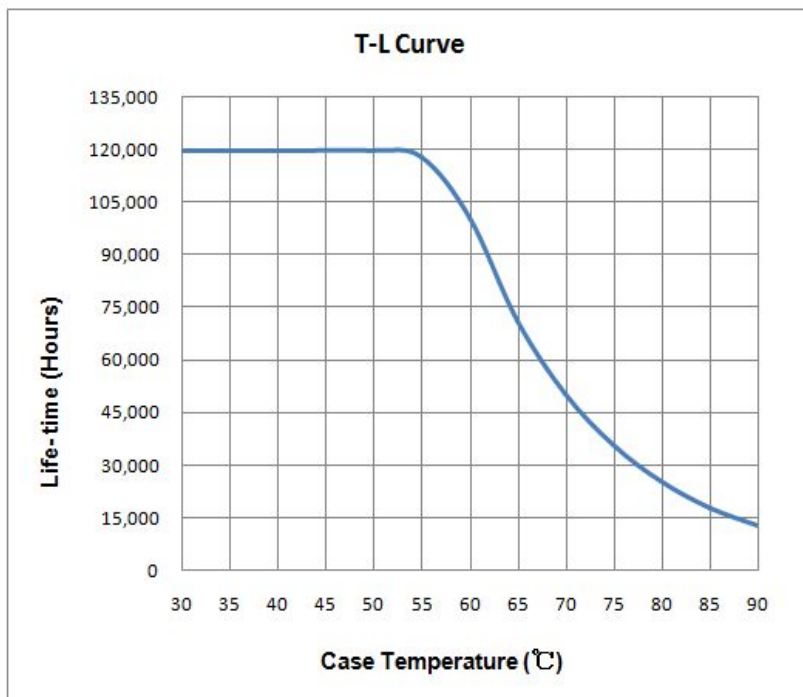
Input	Power Factor (Typical)	0.99 at 120Vac ; 0.95 at 277Vac		
	THD	≤10%		
	Efficiency	90%	89%	87%
	Inrush Current	Max. 75A at 220Vac input, duration 1.7ms, 10% Ipk to 10% Ipk.		
	Inrush Current (I ² t)	Max. 3.5A ² s at 220Vac input, duration 1.7ms, 10% Ipk to 11% Ipk.		
	Leakage Current	Max. 1mA		
Protection	Short Circuit Protection	Yes		
	Over Temperature Protection	Yes		
	Over Voltage Protection	110% Vout		
Environment	Operation Ambient Temperature	- 40°C ~70°C According to the Derating Curve		
	Working Humidity	10% RH to 100%RH		
	Storage Temp,Humidity	-40°C-+85°C, 5% RH to 100% RH		
Safety & EMC	Withstand voltage	I/P-O/P:3.75KVac I/P-FG:1.88KVac O/P-FG:0.5KVac		
	Isolation Resistance	I/P-O/P, I/P-FG, O/P-FG: 100MΩ/500Vdc/25°C/70%RH		
	Surge Immunity	AC power: line to line 4kV, line to earth 6kV		
	EMI	Comply with FCC Part 18 class B, EN55015, EN61000-3-2, EN61000-3-3		
Other	Max. Case Temperature	90°C		
	No Load Power Dissipation	≤0.65W		
	Dimensions (L x W x H)	196*42.5*34 mm		
1. Efficiency is measured at 277Vac input , rated load and 25°C of ambient temperature.				

Notes	<p>2. Ripple and Noise are measured at 20MHz of bandwidth by using a 12” twisted pair-wire terminated with a 0.1uf ceramic capacitor and a 47uf elec.capacitor in parallel.</p> <p>3. 5 Years Warranty</p>
-------	--

Derating Curve



Case Temperature vs. Life time

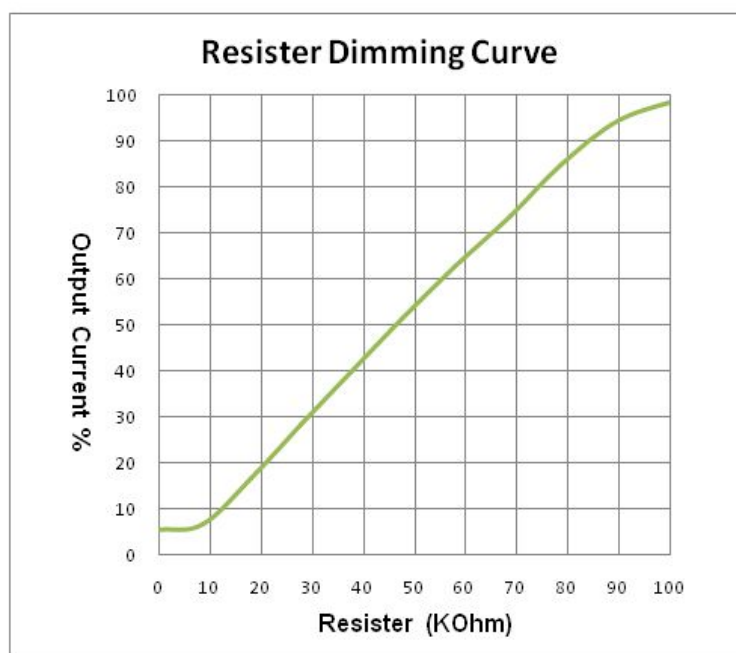
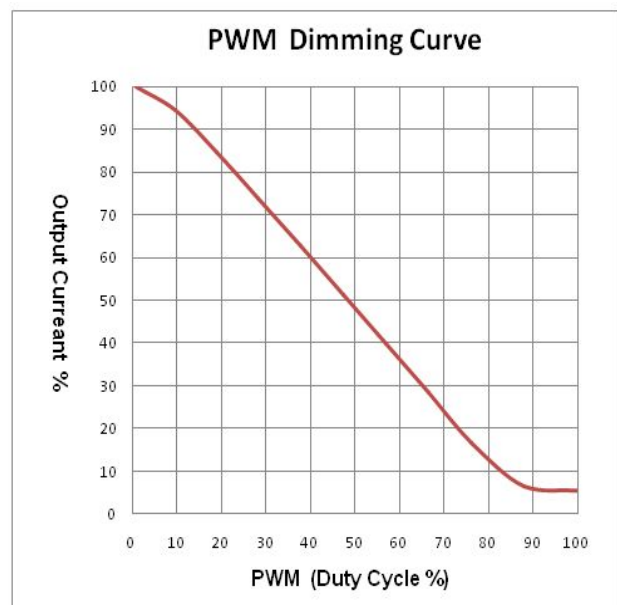
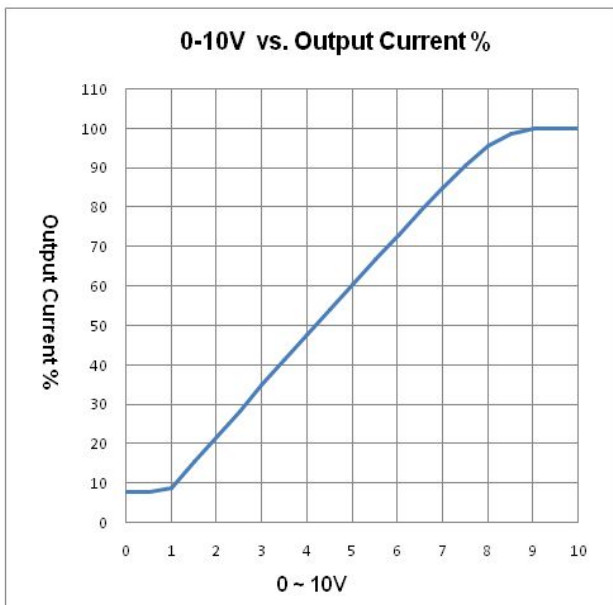


Dimming operation

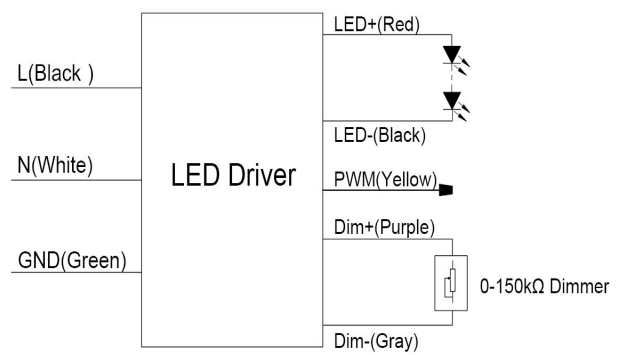
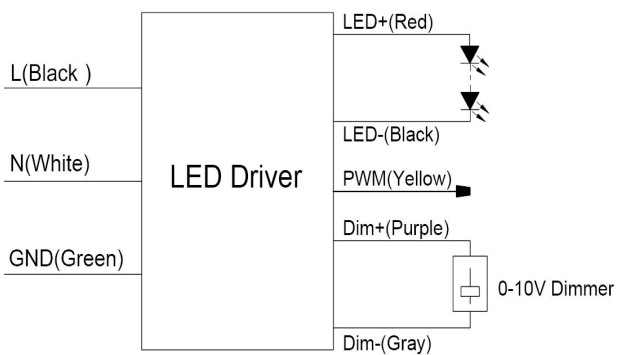
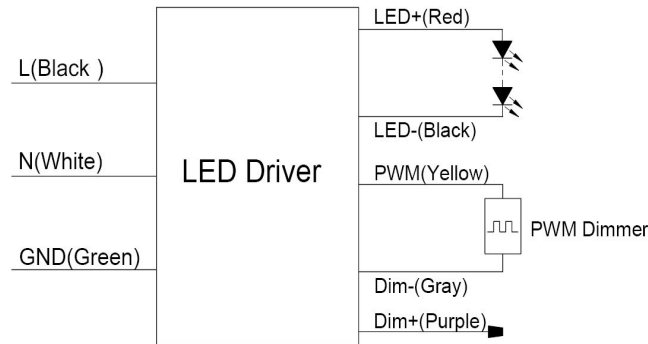
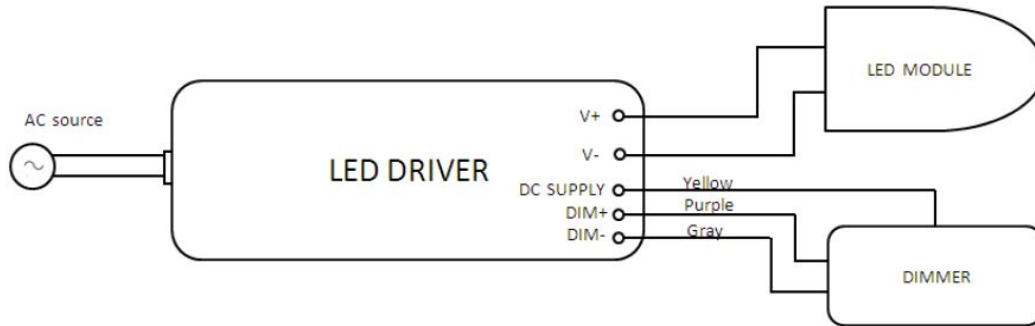
※ Built-in 3 in 1 dimming function, IP67 rated. Output constant current level can be adjusted through output cable by connecting a resistance or 1 ~ 10Vdc or 10V PWM signal between DIM+ and DIM-.

※ Please DO NOT connect "DIM-" to "-V".

Dimming Curve



Wiring Diagram



Mechanical Specification:

