

75W Outdoor LED Drives LCU-075DXXX Series

Features

- ◇ Universal voltage input
- ◇ Using optimized control IC
- ◇ Perfect protection on SCP, OTP, OVP
- ◇ Dimming control for 0-10V, PWM and external resistor
- ◇ Low power loss (less than 0.75W in no-load condition)
- ◇ UL Type HL and Type TL certification
- ◇ Unique circuit design to increase reliability (2 patents pending)
- ◇ Waterproof (IP67) for damp or wet location



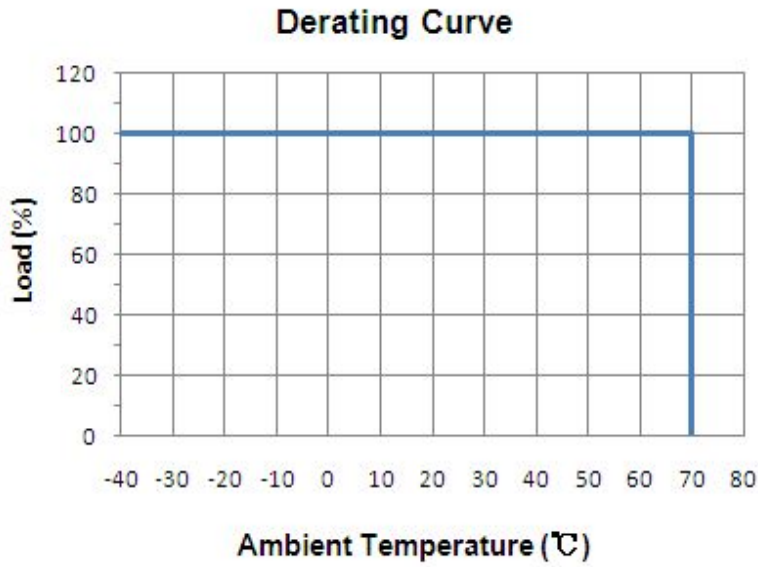
*Application: LED Outdoor lighting
LED Flood lamp
LED High Bay
LED Street lamp



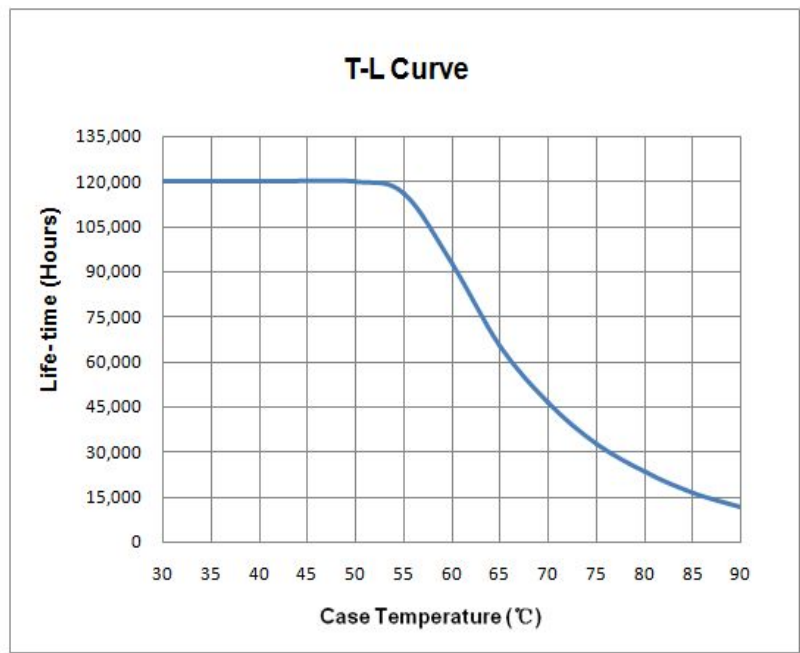
LCU-075D035										
1.LCU: Product line			2.075:Output power 75w				3.035:Output Current 350ma			
	Items	Models								
		LCU-075D035	LCU-075D045	LCU-075D070	LCU-075D105	LCU-075D140	LCU-075D210	LCU-075D280	LCU-075D375	LCU-075D500
Output	Max. Output Power	75W	75W	75W	75W	75W	75W	75W	75W	75W
	Output Current	350mA	450mA	700mA	1050mA	1400mA	2100mA	2800mA	3750mA	5000mA
	Output Current Tolerance	±5%								
	Output Voltage Range	107~214	83~166	54~108	36~72	27~54	18~36	13~27	10~20	7~15
	Output Current Ripple*	5% lo; pk - pk, at full load condition								
	Max. Output Noise	500mVp-p	400mVp-p	400mVp-p	350mVp-p	350mVp-p	300mVp-p	300mVp-p	300mVp-p	300mVp-p
	Input Voltage Range	90Vac ~ 305Vac								
	Input Frequency Range	47 ~ 63Hz								
	Power Factor (Typical)	0.99 at 120Vac ; 0.95 at 277Vac								

Input	THD	$\leq 15\%$			
	Efficiency*	90%	89%	87%	85%
	Inrush Current	Max. 75A at 220Vac input, duration 1.7ms, 10% Ipk to 10% Ipk.			
	Inrush Current (I ² t)	Max. 3.5A ² s at 220Vac input, duration 1.7ms, 10% Ipk to 11% Ipk.			
	Leakage Current	Max. 1mA			
Protection	Short Circuit Protection	Yes			
	Over Temperature Protection	Yes			
	Over Voltage Protection	110% Vout			
Environment	Operation Ambient Temperature	- 40°C ~70°C According to the Derating Curve			
	Working Humidity	10% RH to 100%RH			
	Storage Temp, Humidity	-40°C+85°C, 5% RH to 100% RH			
Safety & EMC	Withstand voltage	I/P-O/P:3.75KVac I/P-FG:1.88KVac O/P-FG:0.5KVac			
	Isolation Resistance	I/P-O/P, I/P-FG, O/P-FG: 100MΩ/500Vdc/25°C/70%RH			
	Surge Immunity	AC power: line to line 4kV, line to earth 6kV			
	EMI	Comply with FCC Part 18 class B, EN55015, EN61000-3-2, EN61000-3-3			
Other	Max. Case Temperature	90°C			
	No Load Power Dissipation	$\leq 0.65W$			
	Dimensions (L x W x H)	181*67.5*36.5 mm			
Notes	<p>1. Efficiency is measured at 277Vac input , rated load and 25°C of ambient temperature.</p> <p>2. Ripple and Noise are measured at 20MHz of bandwidth by using a 12" twisted pair-wire terminated with a 0.1uf ceramic capacitor and a 47uf elec.capacitor in parallel.</p> <p>3. 5 Years Warranty</p>				

Derating Curve



Case Temperature vs. Life time

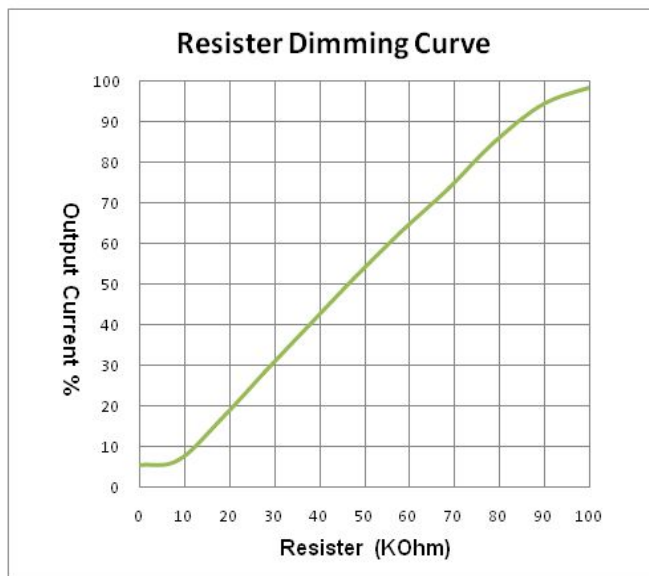
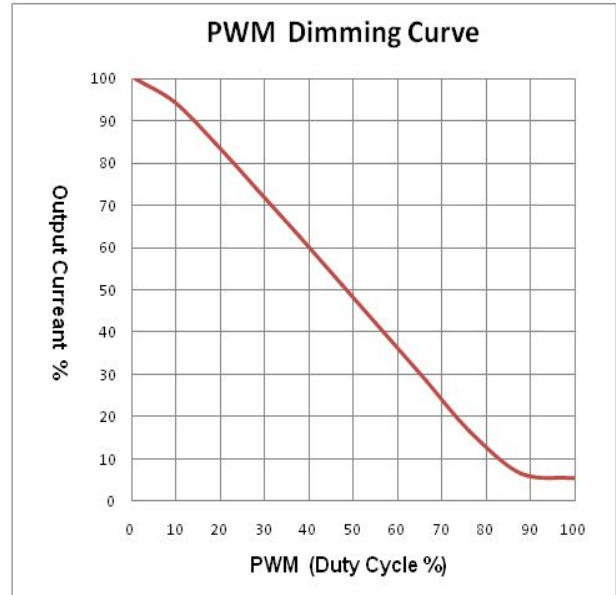
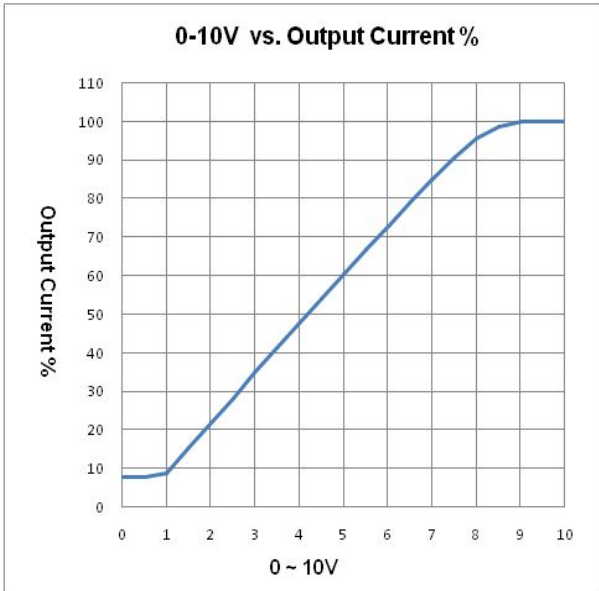


Dimming operation

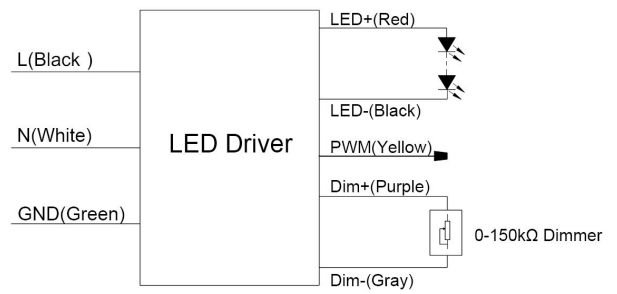
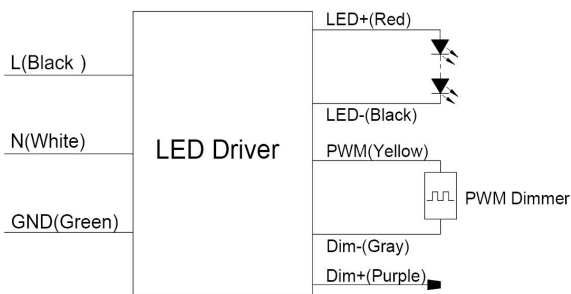
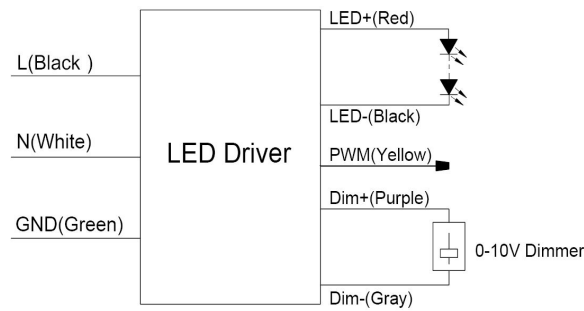
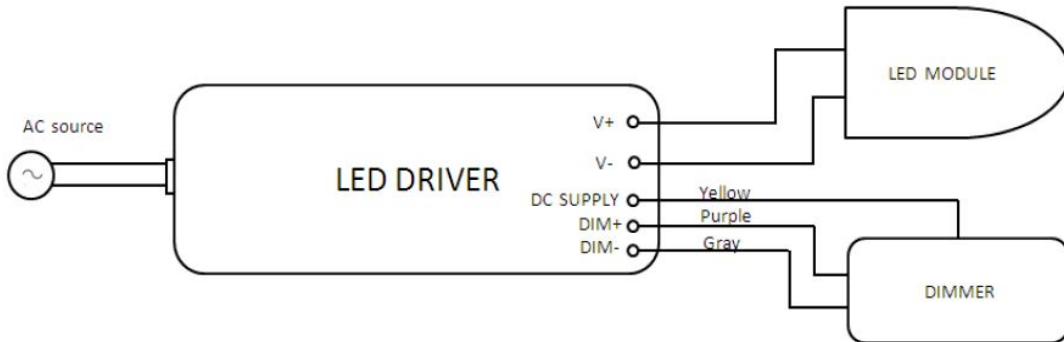
※Built-in 3 in 1 dimming function, IP67 rated. Output constant current level can be adjusted through output cable by connecting a resistance or 1 ~ 10Vdc or 10V PWM signal between DIM+ and DIM-.

※Please DO NOT connect "DIM-" to "-V".

Dimming Curve



Wiring Diagram



Mechanical Specification:

