

100W Outdoor LED Drives LCU-100DXXX Series

Features

- ◇ Universal voltage input
- ◇ using optimized control IC
- ◇ Perfect protection on SCP, OTP, OVP
- ◇ Dimming control for 0-10V, PWM and external resistor
- ◇ Low power loss (less than 0.75W in no-load condition)
- ◇ UL Type HL and Type TL certification
- ◇ Unique circuit design to increase reliability (2 patents pending)
- ◇ Waterproof (IP67) for damp or wet location



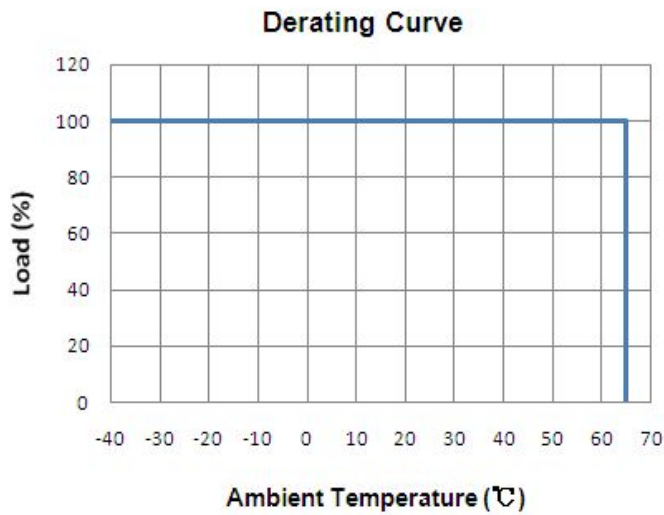
*Application: LED Outdoor lighting
LED Flood lamp
LED High Bay
LED Street lamp



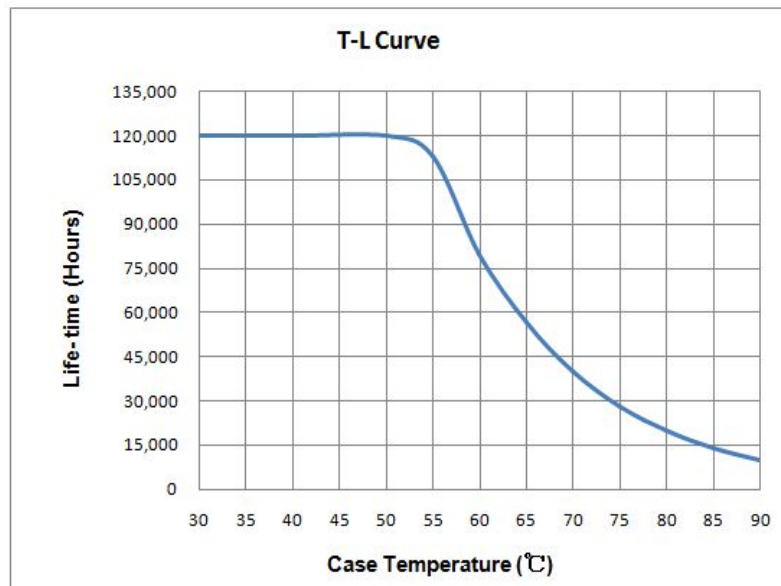
LCU-100D035													
1.LCU: Product li; 2.100:Output power 100w 3.035:Output Current 350ma													
Items		Models											
		LCU-100D035	LCU-100D045	LCU-100D070	LCU-100D105	LCU-100D140	LCU-100D175	LCU-100D210	LCU-100D245	LCU-100D280	LCU-100D315	LCU-100D350	LCU-100D420
Output	Max. Output Power	100W	100W	100W	100W	100W	100W	100W	100W	100W	100W	100W	100W
	Output Current	350mA	450mA	700mA	1050mA	1400mA	1750mA	2100mA	2450mA	2800mA	3150mA	3500mA	4200mA
	Output Current Tolerance	±5%											
	Output Voltage Range	143~286	111~222	71~143	47~95	35~71	28~57	24~48	20~41	18~36	16~32	14~28	12~24
	Output Current Ripple	5% I _o ; pk - pk, at full load condition											
	Max. Output Noise	500 mVp-p	400 mVp-p	400 mVp-p	350 mVp-p	350 mVp-p	300 mVp-p	300 mVp-p	300 mVp-p	300 mVp-p	300 mVp-p	300 mVp-p	300 mVp-p
Input	Input Voltage Range	90Vac ~ 305Vac											
	Input Frequency Range	47 ~ 63Hz											
	Power Factor (Typical)	0.99 at 120Vac ; 0.95 at 277Vac											

Input	THD	$\leq 15\%$			
	Efficiency	90%	89%	87%	85%
	Inrush Current	Max. 75A at 220Vac input, duration 1.7ms, 10% Ipk to 10% Ipk.			
	Inrush Current (I ² t)	Max. 3.5A ² s at 220Vac input, duration 1.7ms, 10% Ipk to 11% Ipk.			
	Leakage Current	Max. 1mA			
Protection	Short Circuit Protection	Yes			
	Over Temperature Protection	Yes			
	Over Voltage Protection	110% Vout			
Environment	Operation Ambient Temperature	- 40°C ~ 65°C According to the Derating Curve			
	Working Humidity	10% RH to 100%RH			
	Storage Temp, Humidity	-40°C-+85°C 5% RH to 100% RH			
Safety & EMC	Withstand voltage	I/P-O/P:3.75KVac I/P-FG:1.88KVac O/P-FG:0.5KVac			
	Isolation Resistance	I/P-O/P, I/P-FG, O/P-FG: 100MΩ/500Vdc/25°C/70%RH			
	Surge Immunity	AC power: line to line 4kV, line to earth 6kV			
	EMI	Comply with FCC Part 18 class B, EN55015, EN61000-3-2, EN61000-3-3			
Other	Max. Case Temperature	90°C			
	No Load Power Dissipation	$\leq 0.65W$			
	Dimensions (L x W x H)	198*67.5*36.5 mm			
Notes	<p>1. Efficiency is measured at 277Vac input , rated load and 25°C of ambient temperature.</p> <p>2. Ripple and Noise are measured at 20MHz of bandwidth by using a 12" twisted pair-wire terminated with a 0.1uf ceramic capacitor and a 47uf elec.capacitor in parallel.</p> <p>3. 5 Years Warranty</p>				

Derating Curve



Case Temperature vs. Life time

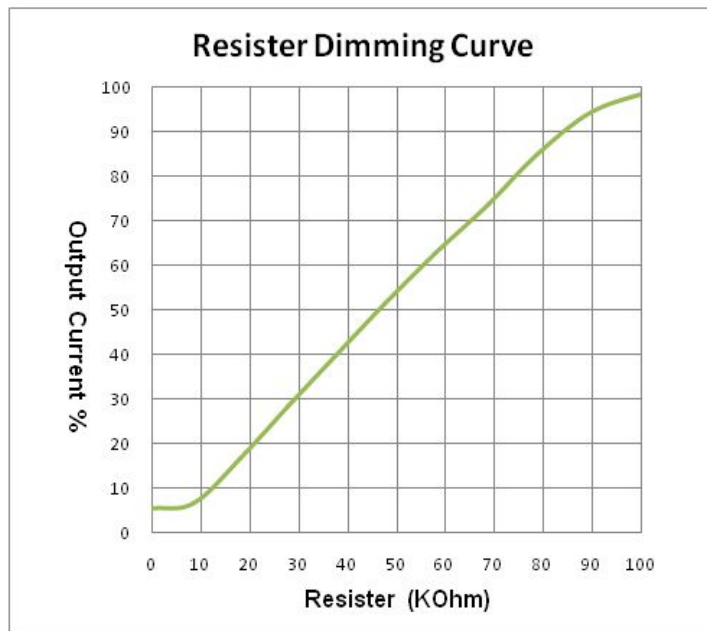
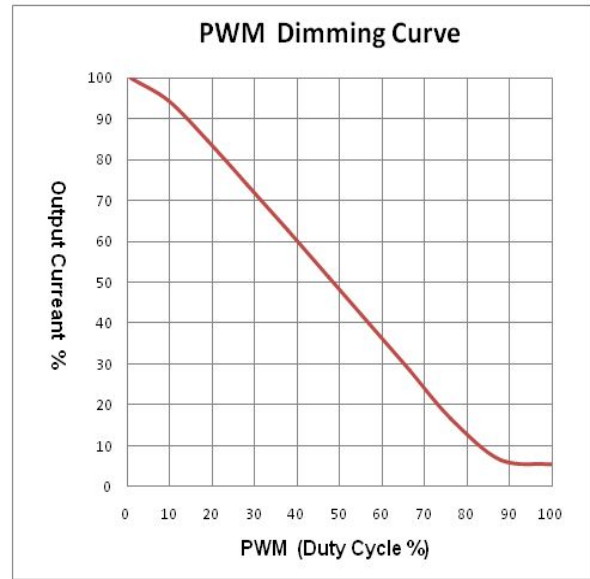
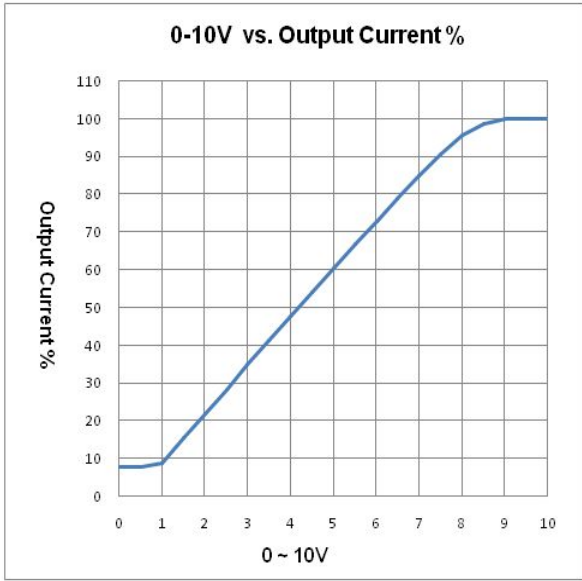


Dimming operation

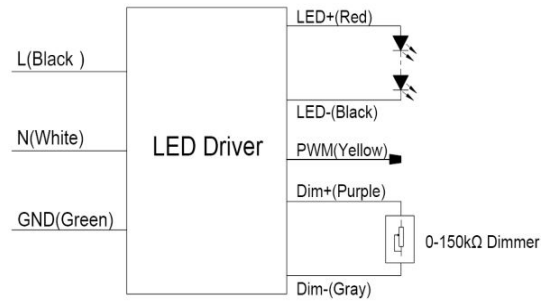
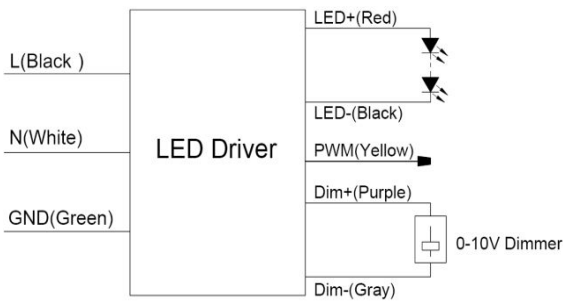
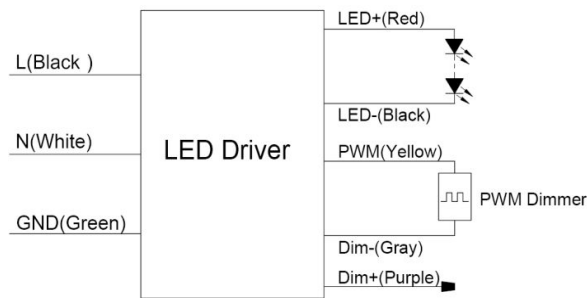
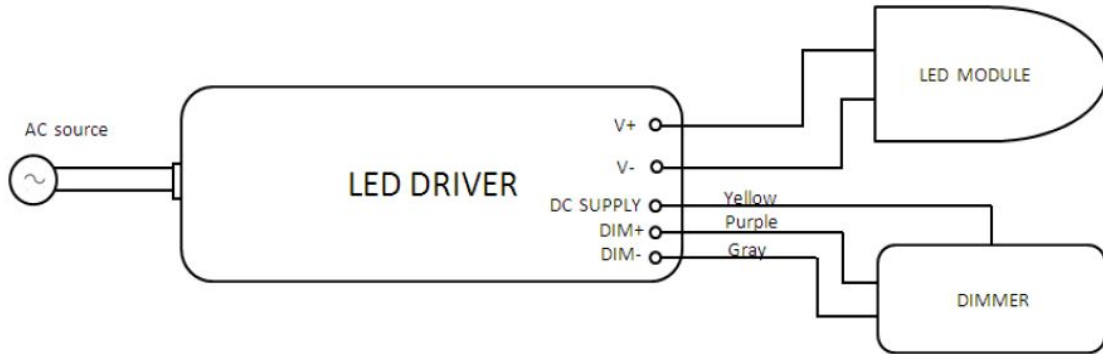
※Built-in 3 in 1 dimming function, IP67 rated. Output constant current level can be adjusted through output cable by connecting a resistance or 1 ~ 10Vdc or 10V PWM signal between DIM+ and DIM-.

※Please DO NOT connect "DIM-" to "-V".

Dimming Curve



Wiring Diagram



Mechanical Specification:

