

Impedance HID ballast for metal halogen lamp (copper coil)

HUAFENG MH ballasts are characterized by an inner-installed resettable thermal protector with high sensitivity. The action temperature is $160^{\circ}\text{C}\pm 5^{\circ}\text{C}$ and the reset temperature range is from 80°C to 125°C .

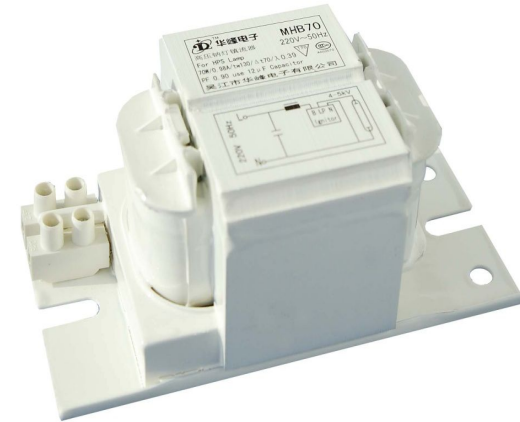
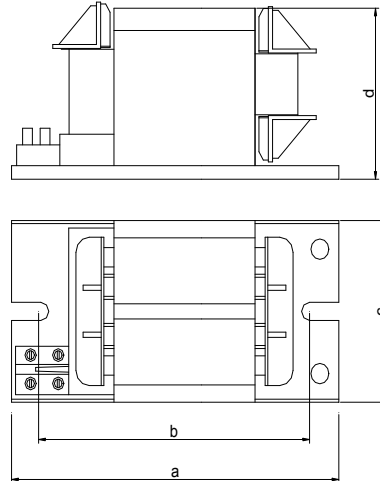
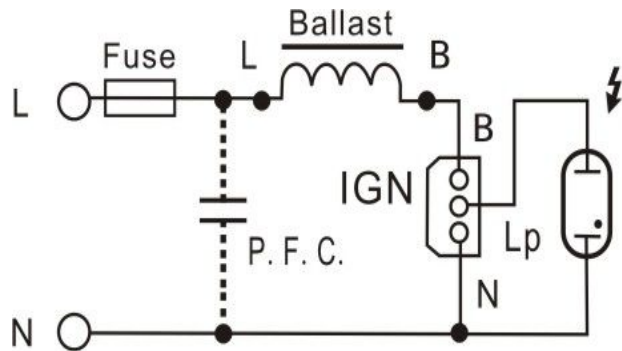
absolutely under the standards of GB19510.1, 19510.9 and IEC61347,

certificated by CCC、ENEC、VDE、TUV and CE

Adaptable power: 35W-400W MH lamp

Recommended lamp: GE、OSRAM MH lamp

Teminal: Screw teminal



Model	(A)	(V)	(W)	Δt K	tw	Cp	(kg)	Size (mm)				QTY/Carton	(mm)
	Current	Voltage	Lamp			μF	Weight	a	b	c	d		Carton Size
MHB35	0.53	220V~ 240V	HPS/MH35W	70	130	6	0.88	117	110	60	52.5	8	275*262*82
MHB70	0.98	220V~ 240V	HPS/MH70W	70	130	12	1.1	117	110	60	52.5	8	275*262*82
MHB100	1.2	220V~ 240V	HPS/MH100W	70	130	15	1.28	117	110	60	52.5	8	275*262*82
MHB150	1.8	220V~ 240V	HPS/MH150W	70	130	18	1.77	125	112	75	65	6	275*255*94
MHB250	2.15	220V~ 240V	MH250W	70	130	18	1.95	125	112	75	65	6	275*255*94
MHB400	3.25	220V~ 240V	MH400W	70	130	25	2.84	150	135	75	65	6	320*175*94