

Impedance HID ballast for mercury lamp

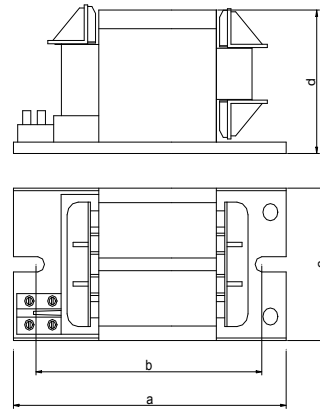
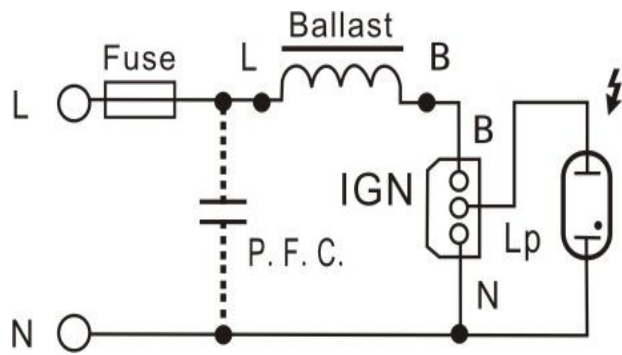
HUAFENG mercury Ballasts are characterized by an inner-installed resettable thermal protector with high sensitivity. The action temperature is $160^{\circ}\text{C}\pm 5^{\circ}\text{C}$ and the reset temperature range is from 80°C to 125°C .

absolutely under the standards of GB19510.1, 19510.9 and IEC61347, certificated by CCC、ENEC、VDE、TUV and CE

Adaptable power: 80W-400W mercury lamp

Recommended lamp: GE、OSRAM mercury lamp

Terminal:Screw terminal



Model	A)	(V)	(W)	Δt K	tw	Cp	(kg)	Size (mm)				QTY/Carton	(mm)
	Current	Voltage	Lamp			μ F	Weight	a	b	c	d		Carton Size
MIB80	0.8	220V~ 240V	MI80W	70	130	8	1.08	117	110	60	52.5	8	275*262*82
MIB125	1.15	220V~ 240V	MI125W	70	130	12	1.34	117	110	60	52.5	8	275*262*82
MIB175	1.5	220V~ 240V	MI175W	70	130	18	1.77	125	112	75	65	6	275*255*94
MIB250	2.15	220V~ 240V	MH250W	70	130	18	1.95	125	112	75	65	6	275*255*94
MIB400	3.25	220V~ 240V	MH400W	70	130	25	2.84	150	135	75	65	4	320*175*94