

Impedance HID ballast for high pressure sodium lamp ( Aluminum coil)

HUAFENG HPS Ballasts are characterized by an inner-installed resettable thermal protector with high sensitivity. The action temperature is  $160^{\circ}\text{C}\pm 5^{\circ}\text{C}$  and the reset temperature range is from  $80^{\circ}\text{C}$  to  $125^{\circ}\text{C}$ .

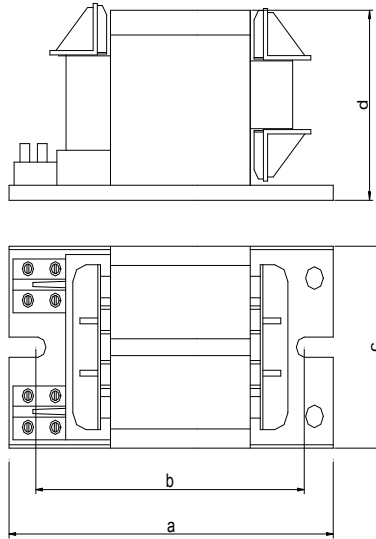
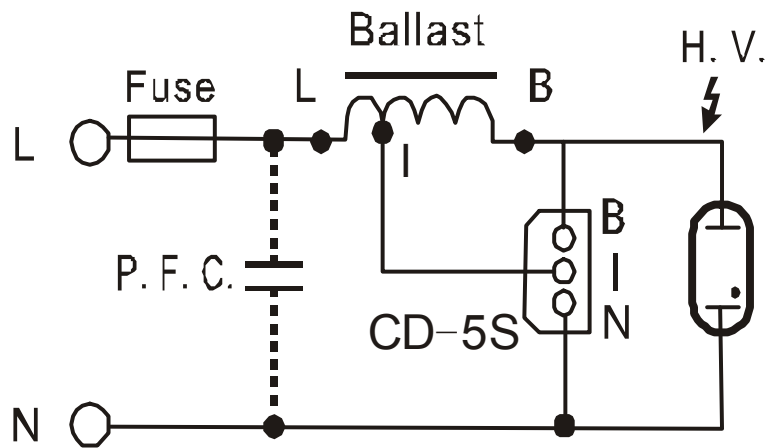
absolutely under the standards of GB19510.1, 19510.9 and IEC61347,

certificated by CCC、ENEC、VDE、TUV and CE

Adaptable power: 35W-1000W HPS lamp

Recommended lamp: GE、OSRAM HPS lamp

Teminal:Screw teminal



Model	(A) Current	(V) Voltage	(W) Lamp	$\Delta t$ K	tw	Cp $\mu F$	(kg) Weight	Size (mm)				QTY/Carton	(mm) Carton Size
								a	b	c	d		
MSB35	0.53	220V~ 240V	HPS35W	70	130	6	0.95	117	110	60	52.5	8	275*262*82
MSB70	0.98	220V~ 240V	HPS70W	70	130	12	1.15	117	110	60	52.5	8	275*262*82
MSB100	1.2	220V~ 240V	HPS100W	70	130	15	1.35	117	110	60	52.5	8	275*262*82
MSB150	1.8	220V~ 240V	HPS150W	70	130	18	1.85	125	112	75	65	6	275*255*94
MSB250	3.0	220V~ 240V	HPS250W	70	130	32	2.2	125	112	75	65	4	275*255*94
MSB400	4.6	220V~ 240V	HPS400W	75	130	50	4.50	165	141	96	83	4	350x210x100