

Impedance HID ballast for high pressure sodium lamp (copper coil)

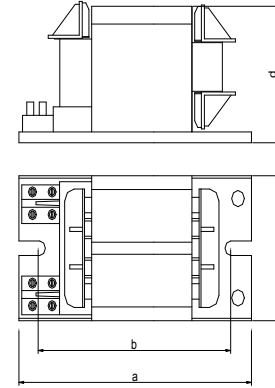
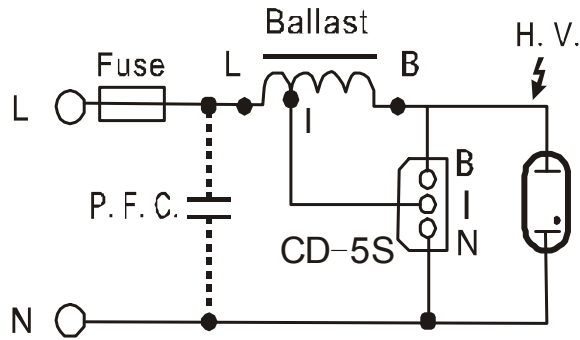
HUAFENG HPS Ballasts are characterized by an inner-installed resettable thermal protector with high sensitivity. The action temperature is $160^{\circ}\text{C}\pm 5^{\circ}\text{C}$ and the reset temperature range is from 80°C to 125°C .

absolutely under the standards of GB19510.1, 19510.9 and IEC61347, certified by CCC、ENEC、VDE、TUV and CE

Adaptable power: 35W-1000W HPS lamp

Recommended lamp: GE、OSRAM HPS lamp

Terminal:Screw terminal



Model	(A) Current	(V) Voltage	(W) Lamp	Δt K	tw	Cp μ F	(kg) Weight	Size (mm)				QTY/ Carton	(mm) Carton Size
								a	b	c	d		
MSB35	0.53	220V~ 240V	HPS35W	70	130	6	0.88	117	110	60	52.5	8	275*262*82
MSB70	0.98	220V~ 240V	HPS70W	70	130	12	1.1	117	110	60	52.5	8	275*262*82
MSB100	1.2	220V~ 240V	HPS100W	70	130	15	1.28	117	110	60	52.5	8	275*262*82
MSB150	1.8	220V~ 240V	HPS150W	70	130	18	1.77	125	112	75	65	6	275*255*94
MSB250	3.0	220V~ 240V	HPS250W	70	130	32	1.95	125	112	75	65	6	275*255*94
MSB400	4.6	220V~ 240V	HPS400W	75	130	50	4.30	165	141	96	83	4	350x210x100
MSB600	6.2	220V~ 240V	HPS600W	75	130	65	4.50	165	141	96	83	4	350x210x100
MSB1000	10.3	220V~ 240V	HPS1000W	75	130	100	2.84	230	210	6	83	2	250*175*100