

Impedance HID ballast for metal halogen lamp (copper coil)

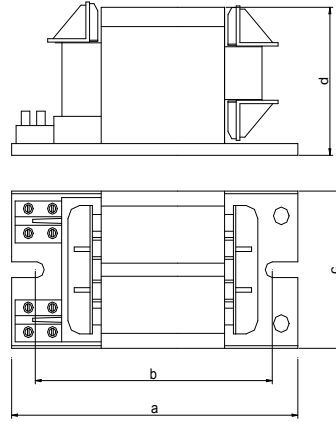
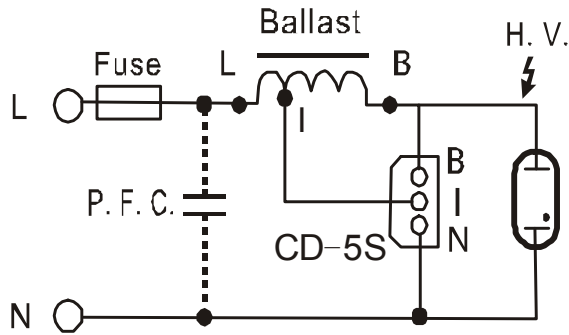
HUAFENG MH ballasts are characterized by an inner-installed resettable thermal protector with high sensitivity. The action temperature is  $160^{\circ}\text{C}\pm 5^{\circ}\text{C}$  and the reset temperature range is from  $80^{\circ}\text{C}$  to  $125^{\circ}\text{C}$ .

absolutely under the standards of GB19510.1, 19510.9 and IEC61347, certified by CCC、ENEC、VDE、TUV and CE

Adaptable power: 35W-400W MH lamp

Recommended lamp: GE、OSRAM MH lamp

Terminal: Screw terminal



Model	(A) Current	(V) Voltage	(W) Lamp	$\Delta t$ K	tw	Cp $\mu$ F	(kg) Weight	Size (mm)				QTY/Carto	(mm) Carton Size
								a	b	c	d		
MHB35	0.53	220V~ 240V	HPS/MH35 W	70	130	6	0.88	117	110	60	52.5	8	275*262*8 2
MHB70	0.98	220V~ 240V	HPS/MH70 W	70	130	12	1.1	117	110	60	52.5	8	275*262*8 2
MHB100	1.2	220V~ 240V	HPS/MH10 0W	70	130	15	1.28	117	110	60	52.5	8	275*262*8 2
MHB150	1.8	220V~ 240V	HPS/MH15 0W	70	130	18	1.77	125	112	75	65	6	275*255*9 4
MHB250	2.15	220V~ 240V	MH250W	70	130	18	1.95	125	112	75	65	6	275*255*9 4
MHB400	3.25	220V~ 240V	MH400W	70	130	25	2.84	150	135	75	65	6	320*175*9 4